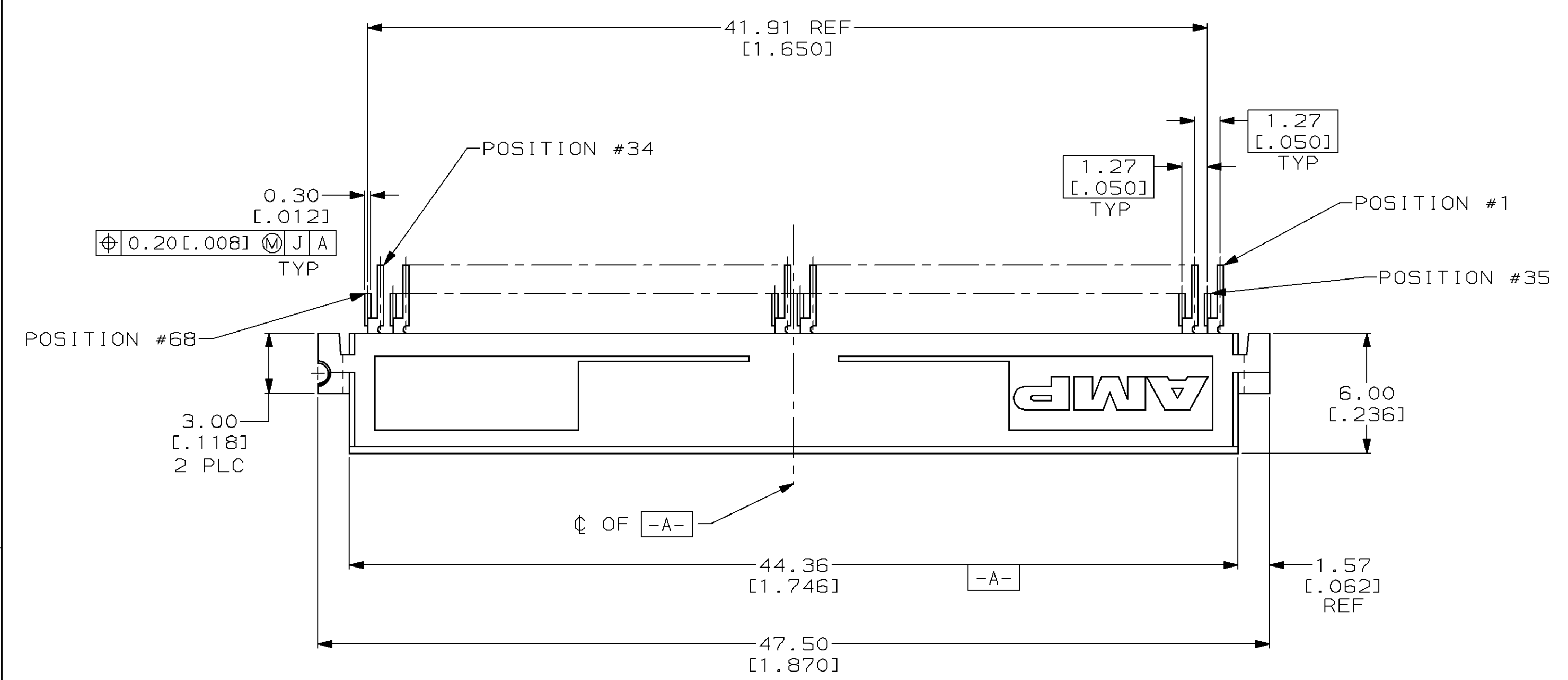
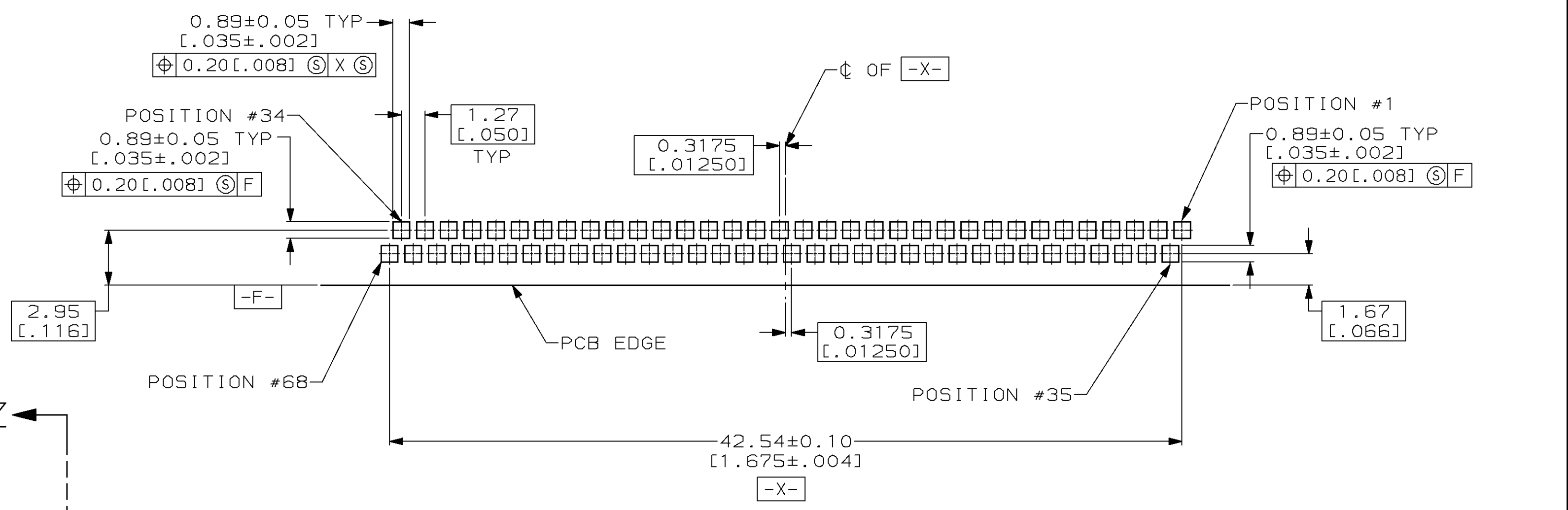
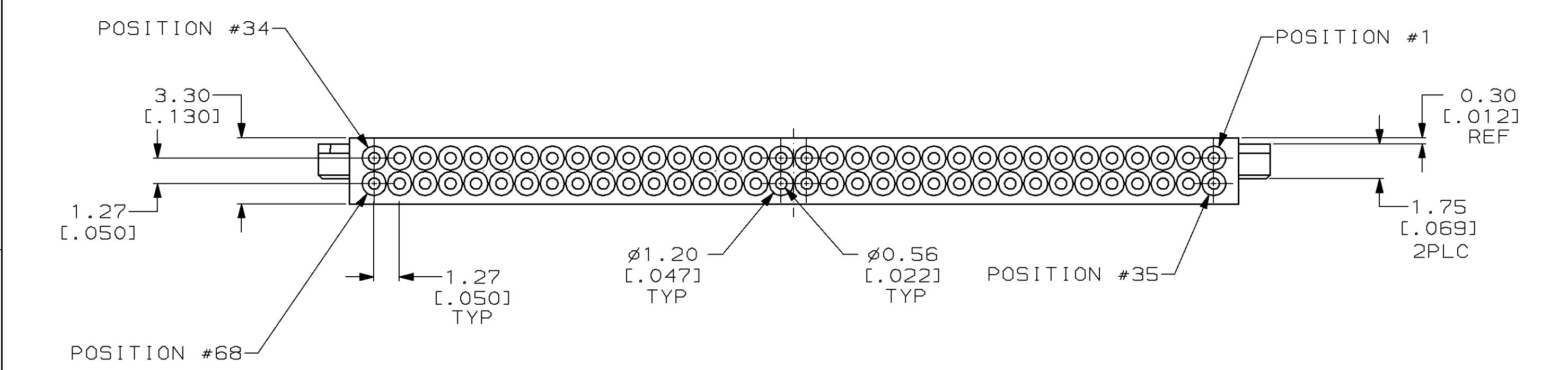


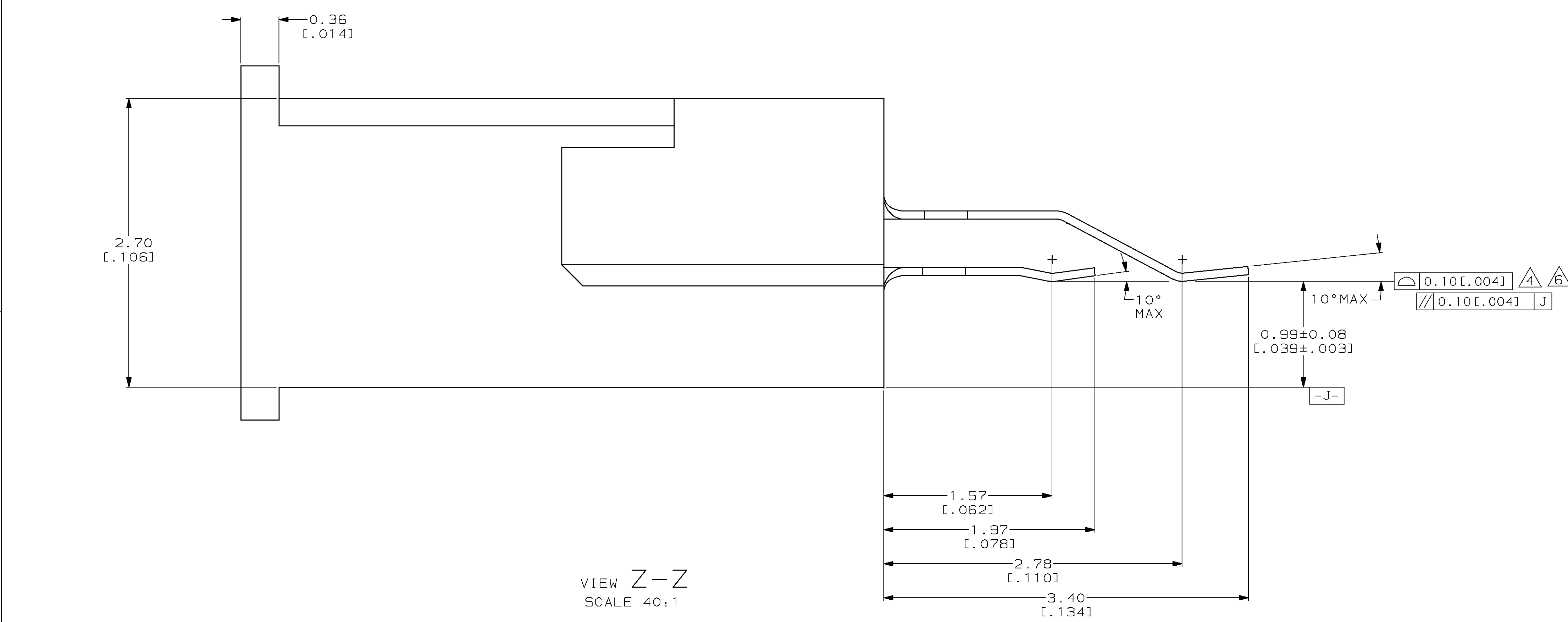
REVISONS		DATE	OWN	APVD
0	RELEASED	03/13/95	DW	DD
A	REV PER 0010-1110-95	9/12/95	DW	DD
B	REV PER EC 0410-2-96	29 JUL 96	CR	DRD
C	REV PER EC 0410-38-97	03 APR 97	CR	MP



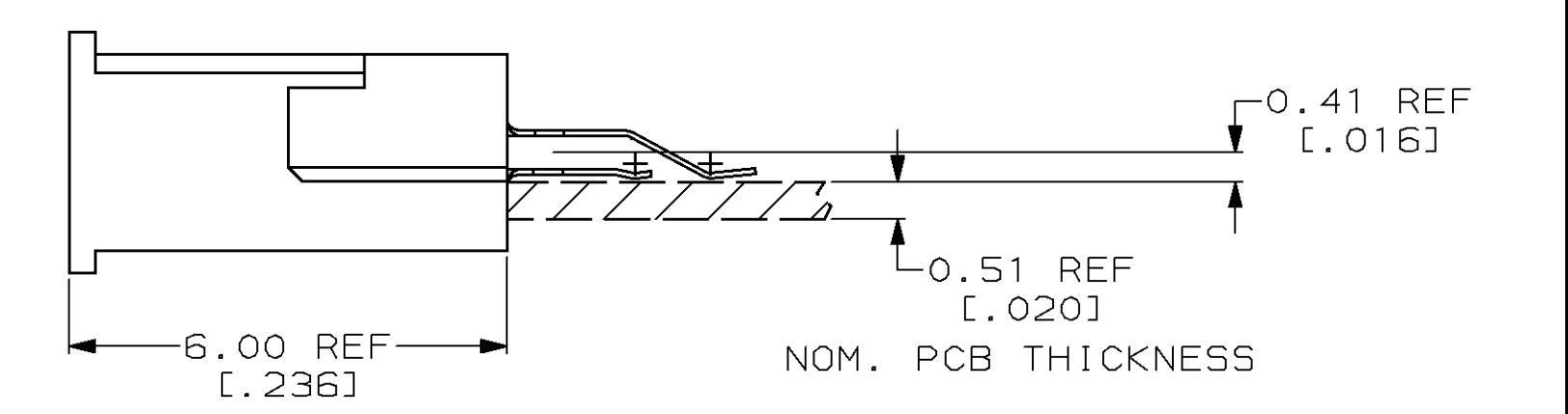
- 1 HOUSING: LCP, GLASS FILLED, COLOR: BLACK.
- 2 CONTACT: BERYLLIUM COPPER.
- 3 0.00076[.000030] MINIMUM GOLD ON MATING AREA, 0.00254[.000100] MINIMUM TIN-LEAD ON SOLDER TAIL, ALL OVER 0.00127[.000050] MINIMUM NICKEL.
- 4 DIMENSION IN REFERENCE TO LOWEST POINT OF EACH LEAD.
- 5. POINT OF CONTACT 2.3[.091] REF FROM MATING FACE.
- 6 APPLIES TO ALL SOLDER TAILS.



RECOMMENDED PC BOARD LAYOUT



VIEW Z-Z
SCALE 40:1



PC BOARD LOCATION (REF)
SCALE: 10:1

68	146230-1
POSITIONS	PART NUMBER

<small>THIS DRAWING IS A CONTROLLED DOCUMENT FOR AMP INCORPORATED. IT IS SUBJECT TO CHANGE AND THE CONTROLLING ENGINEERING DEPARTMENT SHOULD BE CONTACTED FOR THE LATEST REVISION.</small>		DATE: 03/13/95 CHK: D WERTZ DATE: 03/13/95 CHK: D DIXON DATE: 03/13/95 CHK: D DIXON	AMP Incorporated Harrisburg, PA 17105-3508
DIMENSIONS: mm 0 PLC ± 1 PLC ± 2 PLC ±0.13 [.005] 3 PLC ± 4 PLC ± ANGLES FINISH	TOLERANCES UNLESS OTHERWISE SPECIFIED: ± ±0.13 [.005] ± 40°30''	PRODUCT SPEC APPLICATION SPEC WEIGHT CUSTOMER DRAWING	RCPT ASSEMBLY, SURFACE MOUNT, 68 POS, 0.41mm/.016in OFFSET, AMP MEMORY CARD SIZE: A1 CAGE CODE: 00779 DRAWING NO: C=146230 SCALE: 5:1 SHEET: 11 OF: 1 REV: C